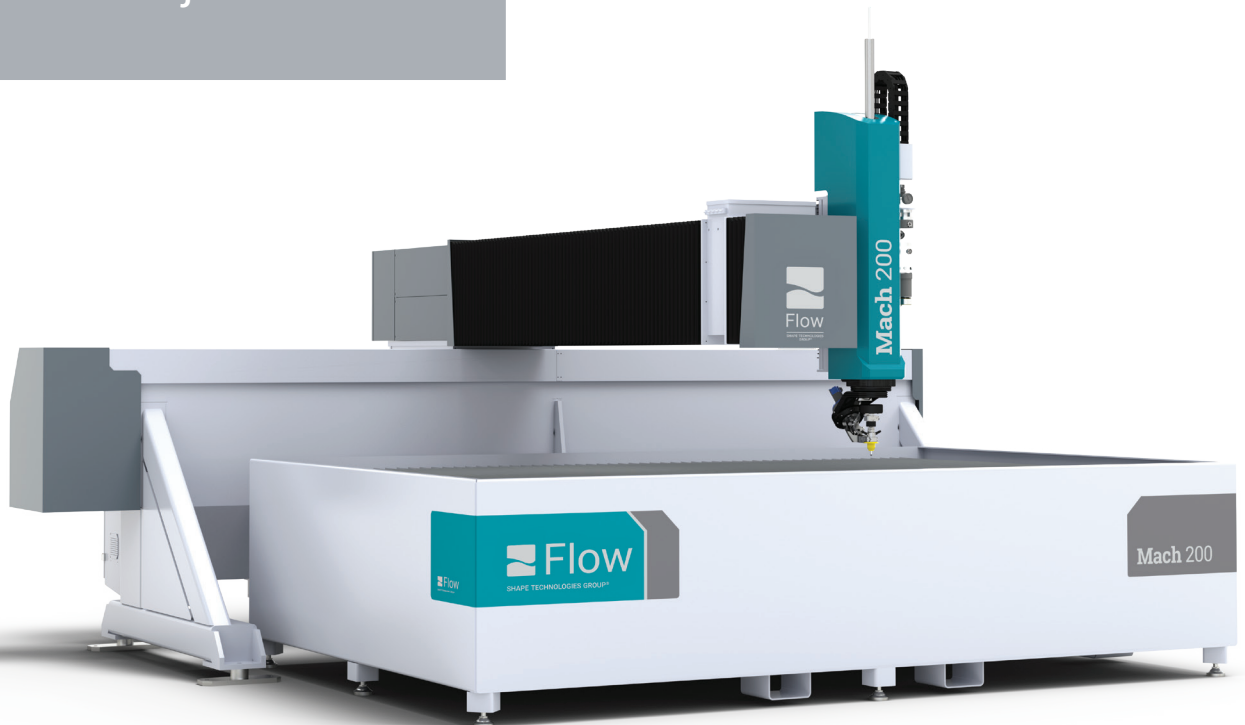




SHAPE TECHNOLOGIES GROUP®

Mach 200 Waterjet Series



Mach 200

elevate expectations.

Mach 200: VALUE + PERFORMANCE. 1 POWERFUL WATERJET SOLUTION

Uniquely flexible and practical, the Mach 200 waterjet is specifically engineered to deliver value, reliability, and performance. Easily cut materials from stone to carbon fiber, and simple 2D designs to complex bevels – all with capabilities often reserved for elite waterjet systems, at an unparalleled price.

Reliable performance. Incredible value. **Elevate expectations.**



- Technology
- Support
- Training
- Service
- Parts
- Abrasive
- ...and more!

Maximize your uptime and profits with FlowCare

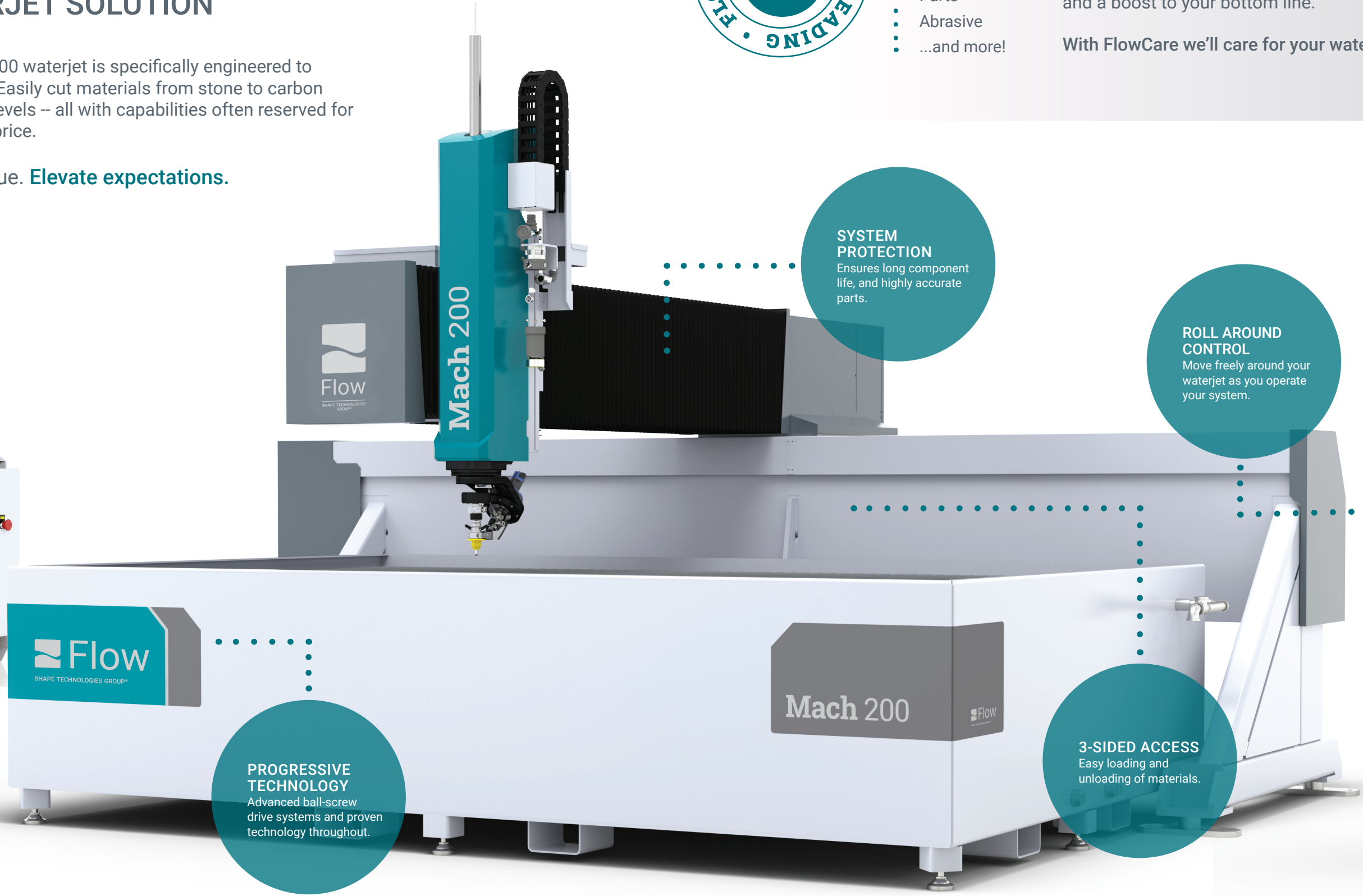
With FlowCare, our customers are set up for success from the start; from training to service, technical expertise to genuine parts, and everything in-between. Get confidence in your uptime and a boost to your bottom line.

With FlowCare we'll care for your waterjet, so you can care for your business.



Pump Selection

Select from a wide array of industry leading pump technology. As the only manufacturer of both Intensifier and Direct Drive pumps, we have the right pump for every application.



PROGRESSIVE TECHNOLOGY
Advanced ball-screw drive systems and proven technology throughout.

SYSTEM PROTECTION
Ensures long component life, and highly accurate parts.

ROLL AROUND CONTROL
Move freely around your waterjet as you operate your system.

3-SIDED ACCESS
Easy loading and unloading of materials.

The Magic Behind the Machine

FlowXpert® is fully integrated 3D modeling and waterjet pathing software. Using intelligent algorithms and 40+ years of waterjet expertise, FlowXpert automatically creates the most efficient waterjet cut path for you. Get fast ROI, efficient operation, and straightforward production, so you can **elevate expectations.**



The New Dimension:

PIVOT+™

Waterjet

only on the
Mach 200

CUT FLAT STOCK, BEVEL,
AND DIVERSE GEOMETRY PARTS,
ALL WITH PIVOT+ WATERJET.



State-of-the-art Cutting Technology

From 2D to multi-axis cutting, Flow technology provides the highest accuracy, fastest cut part.

Other cutting head options available.



 EXCLUSIVE

Pivot+ Waterjet

Multi-axis, taper compensation cutting with accuracy and flexibility.



 PATENTED

UltraPierce™

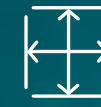
Vacuum Assist for piercing of brittle and laminated materials.



Multi-axis cutting solution with taper compensation – **up to 60 degrees** for bevel cutting



Exceptional throughput with high speed wrist motion up to **120 RPM**



Compact design delivers maximum cutting area



Fast set-up and calibration

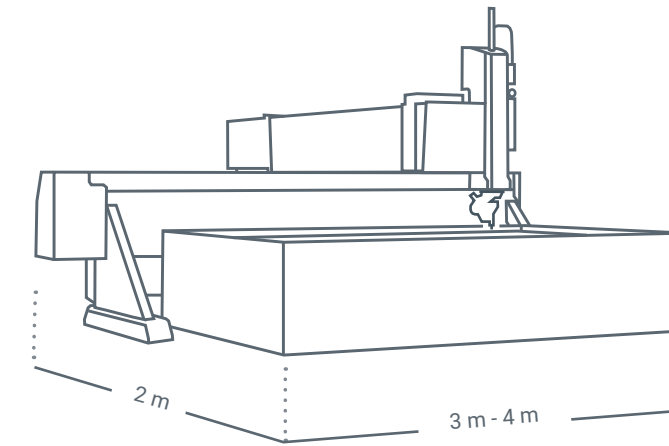


Robust, **durable** construction with IP67 rating



Designed by Flow cutting technology **experts**

Mach 200 elevate expectations.



SPECIFICATIONS & CONFIGURATIONS

Linear Straightness Accuracy	→ ± 0.083 mm/m
Rapid Traverse Maximum	→ 10 m/min
Acceleration	→ 0.05 g
Repeatability	→ 0.038 mm
Ballbar Circularity	→ ± 0.095 mm
Z-Axis Travel	→ 178 mm, 203 mm
Base	→ 3 m, 4 m, 7.3 m
Bridge	→ 1.3 m, 2 m

ANCILLARY OPTIONS & ACCESSORIES

Service Packages
FlowPath™
FlowNest™
FlowXpert®
FlowCut™
Paser CF900 Continuous Feed Hopper
UltraPierce™ Vacuum Assist
Spray Containment Shields

UNITED STATES & CANADA
23500 64th Avenue South
Kent, Washington 98032 USA
Tel: 253-246-3500
TOLL-FREE: 800-446-3569
Fax: 253-813-3285
info@flowcorp.com
FlowWaterjet.com

CENTRAL AMERICA, SOUTH AMERICA,
MEXICO & CARIBBEAN
Tel: +55-11-3616-2820
flowlatino@flowcorp.com

EUROPE, MIDDLE EAST & AFRICA
Tel: +49 (0) 6151 3095-0
info-germany@flowcorp.com

TAIWAN, CHINA, KOREA, SOUTHEAST
ASIA, AUSTRALIA & NEW ZEALAND
Tel: +86-21-5438-2222
sales.fh@flowcorp.com

JAPAN
Tel: +81-3-5789-5920
fjp@flowcorp.com